

MODULAR RECEPTION COUNTER

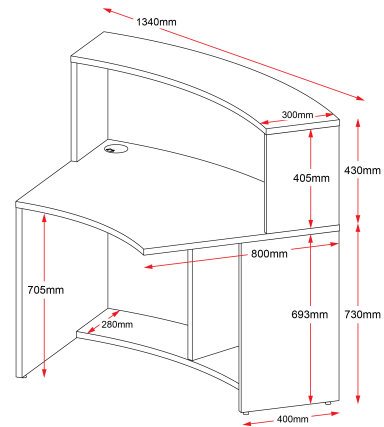
The Modular Reception counter allows you to create your own Reception counter.

The high and low units can be configured on either side and add on additional units for larger desks.

Finished in natural white with a silver kick plate. Backed by a 5 year warranty.



Full Height Reception Hob



Half Height Glass Shelf

